

# Panther 670 Series Plain Top Hot Cupboards

## Key Features

- Type: Electric
- Plain top/work surface
- Adjustable electronic thermostatic temperature control
- Sliding doors to front (removable)
- Supplied with two shelves
- Supplied with swivel and lockable castors
- Supplied with mains flexi-cord (1 – 2M)
- Cupboard double skinned and insulated
- Supplied with push bar



P6P4

## Construction

- Body: stainless steel grade 430
- Interior: mirror stainless steel
- Chrome plated shelves

## Available Options

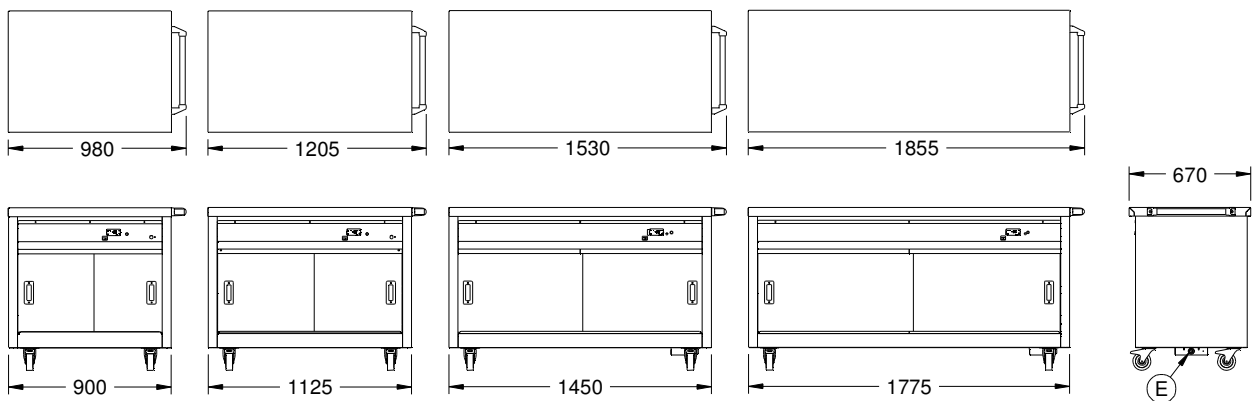
- Choice of sizes
- Static version with adjustable legs
- Coloured front panels
- Heated gantry
- Ambient gantry
- PTS2,3,4,5 – Drop down tray slides
- PDL- Door Lock

## Available Accessories

- PPB6 - Additional push bar handle.
- Choice of GN configurations (available separately)

## Specifications

Model	P6P2	P6P3	P6P4	P6P5
External height (mm)	900	900	900	900
External width (mm)	900	1125	1450	1775
External depth (mm)	670	670	670	670
Usable oven capacity h x w x d (mm)	440 x 820 x 540	440 x 1020 x 540	440 x 1345 x 540	440 x 1670 x 540
Oven shelf size w x d (mm)	788 x 512	967 x 512	1286 x 512	1610 x 512
Net weight unpacked (kg)	71	86	105	124
Gross weight packed (kg)	84	103	124	149
Shipping volume (m <sup>3</sup> )				
Total electrical power rating (kW)	1.5	1.5	2.5	2.5
Electrical supply 1N~+E 230V 50-60Hz Current Rating (A)	6.5	6.5	10.9	10.9



Lincat Limited, Whisby Road,  
Lincoln LN6 3QZ,  
United Kingdom

UK Sales Tel: 01522 875500 UK Spares Tel: 01522 875510 UK General Tel: 01522 875555  
 UK Fax: 01522 875530 International Sales Tel: +44 1522 503250 International Fax: +44 1522 875530  
 Website: www.lincat.co.uk UK Sales e-mail: sales@lincat.co.uk International Sales e-mail: export@lincat.co.uk



Document ref:  
PANTHER-GM  
Issue date: Oct-09