

Silverlink 600 Free Standing Fryers

Key Features

- Type: Electric
- Floor standing
- Front mounted control knobs
- Thermostatic temperature control (130 – 190 °C)
- Hinged element with safety cut-out
- Fail-safe temperature cut-out
- Supplied with basket, lid, batter plate, oil drainage bucket and sieve
- Drainage tap to front
- Height adjustable feet
- Cabinet for oil bucket storage



J6

Construction

- Body: stainless steel grade 430
- Tank: stainless steel grade 304
- Basket: Nickel plated spun wire

Available Options

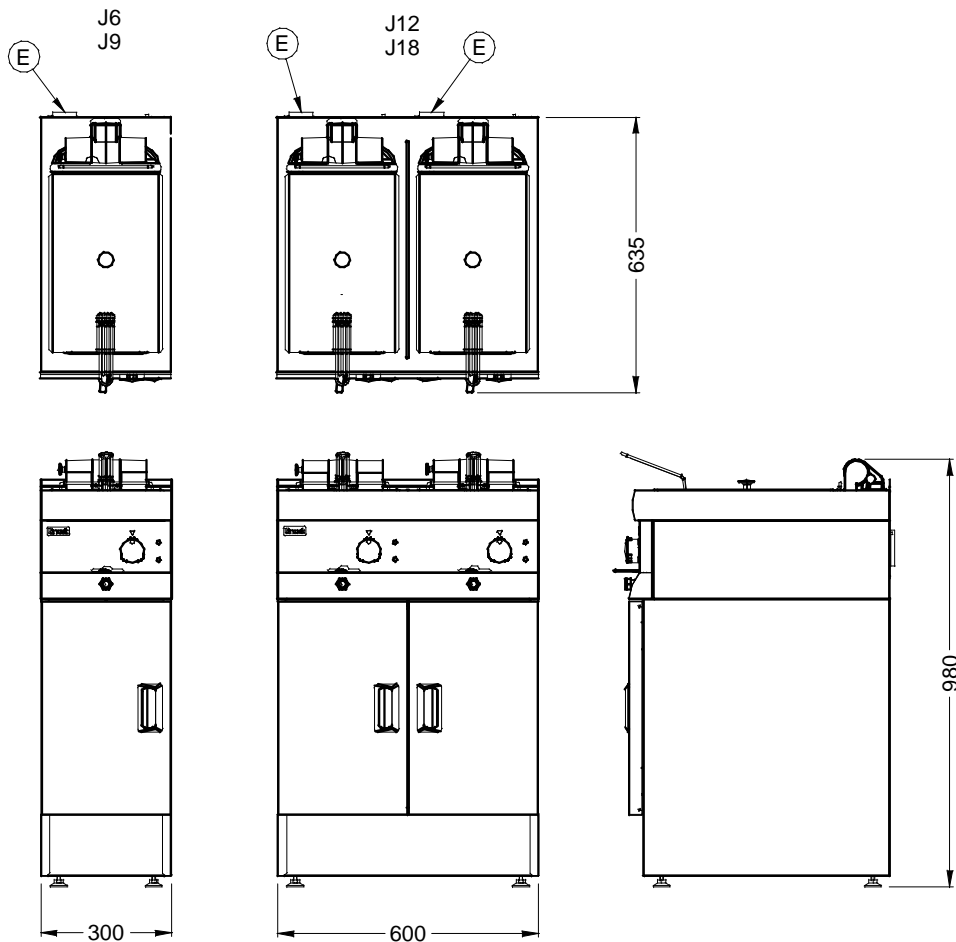
- Choice of power rating, size, single or twin tank models

Available Accessories

- BA96 half size basket
- DC02 doughnut conversion kit
- DCD01 doughnut dispenser

Specifications

Model	J6	J9	J12	J18
External height (mm)	980	980	980	980
External width (mm)	300	300	600	600
External depth (mm)	635	635	635	635
No. of tanks	1	1	2	2
No. of baskets	1	1	2	2
Oil capacity (litres)	9	9	2 x 9	2 x 9
Net weight unpacked (kg)	25.10	25.95	42.70	43.75
Gross weight packed (kg)	32	32	60	60
Shipping volume (m ³)	0.351	0.351	0.663	0.663
Total electrical power rating (kW)	6.0	9.0	2 x 6.0	2 x 9.0
Electrical supply 1N~+E 230V 50-60Hz Current rating (A)	26	39	2 x 26	2 x 39
Electrical supply 3N~+E 400V 50-60Hz Current Rating (A)	L1-3.0 L2-3.0 L3-N/A	L1-2.0 L2-3.0 L3-3.0	2 x L1-2.0 2 x L2-3.0 2 x L3-N/A	2 x L1-2.0 2 x L2-3.0 2 x L3-3.0



Lincat Limited, Whisby Road,
Lincoln LN6 3QZ,
United Kingdom

UK Sales Tel: 01522 875500 UK Spares Tel: 01522 875510 UK General Tel: 01522 875555
UK Fax: 01522 875530 International Sales Tel: +44 1522 503250 International Fax: +44 1522 875530
Website: www.lincat.co.uk UK Sales e-mail: sales@lincat.co.uk International Sales e-mail: export@lincat.co.uk



Document ref:
S-LINKELECFRYJ
Issue date: Oct-09