

## FilterFlow Automatic Water Boilers

### Key Features

- Type: Electric
- Built-in filtration cartridge
- Electronic control system
- Adjustable temperature (70 – 96°C)
- Standby mode
- Advanced diagnostics
- LCD information panel
- Non-drip tap
- WRAS approved
- Choice of rear or bottom power and water entry



WMB3F

### Construction

- Body: stainless steel grade 430 and toughened glass
- Internal tank: stainless steel grade 304

### Available Options

- Choice of black / white glass

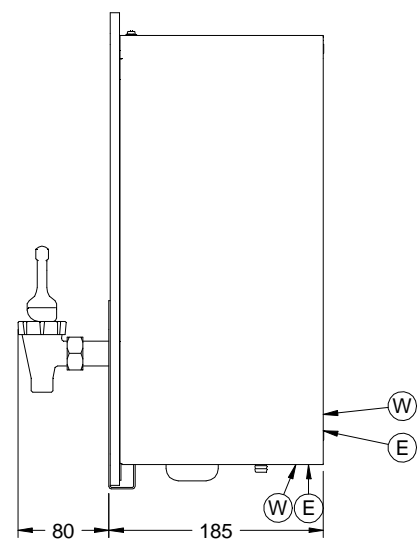
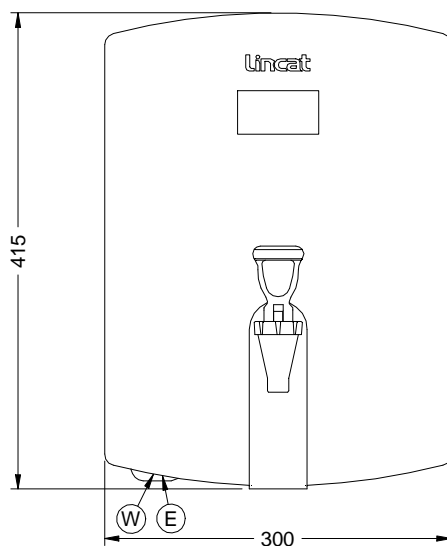
### Available Accessories

- FC02 Replacement filter cartridge
- DR72 Drip Tray

## Specifications

Model	WMB3F
External height (mm)	415
External width (mm)	300
External depth (mm)	185
Output per hour (litres)	31
Rapid Draw-off (litres)	3.5
Recovery per minute (litres)	0.52
Net weight (unpacked) kg	8.5
Gross weight (packed) kg	11
Shipping volume (m <sup>3</sup> )	0.19
Water inlet connection	3/4" BSP male
Water inlet pressure (bar)	1 to 8
Total power rating (kW)	3
Standby power consumption (kW)	0.6
Electrical supply 1N~+E 230V 50-60Hz Current Rating (A)	13
Electrical supply 3N~+E 400V 50-60Hz Current Rating (A)	N/A

WMB3F



**Lincat Limited, Whisby Road,  
Lincoln LN6 3QZ,  
United Kingdom**

UK Sales Tel: 01522 875500 UK Spares Tel: 01522 875510 UK General Tel: 01522 875555  
UK Fax: 01522 875530 International Sales Tel: +44 1522 503250 International Fax: +44 1522 875530  
Website: [www.lincat.co.uk](http://www.lincat.co.uk) UK Sales e-mail: [sales@lincat.co.uk](mailto:sales@lincat.co.uk) International Sales e-mail: [export@lincat.co.uk](mailto:export@lincat.co.uk)



Document ref:  
WALLMOUNTEDFILTERFLOW  
Issue date: Aug 11