

## G3845 TWIN PAN, TWIN BASKET FRYER



### KEY FEATURES

- Stainless steel hob with mild steel pan
  - *robust construction to withstand busy demands*
- Temperature range between 140 - 190°C
  - *variable, precise control*
- Sediment collection zone
  - *keeps oil cleaner for longer*
- Fast-acting safety thermostat
  - *peace of mind if oil accidentally overheats*
- Lid supplied as standard
  - *protects and extends oil life*
- Fish grid supplied as standard
  - *keeps cooked portions off pan base*
- Large diameter drain valve
  - *for simple and efficient pan draining*

### MODELS and ACCESSORIES

#### G3845 twin pan fryer

- Side and back screens
- Factory fitted, adjustable castors
- Fixed installation kit
- Suiting kit

### INSTALLATION NOTES

Adequate ventilation must be provided to supply sufficient fresh air for combustion and to allow easy removal of any such products that may present a risk to health. Please consult current legislation for details that relate to specific locations.

Install unit on a level, fireproof surface in a well-lit, draught free position. If floor is made of a combustible material, local fire requirements must be checked to ensure compliance.

A clearance of 150mm should be observed between appliance and any non-combustible wall.



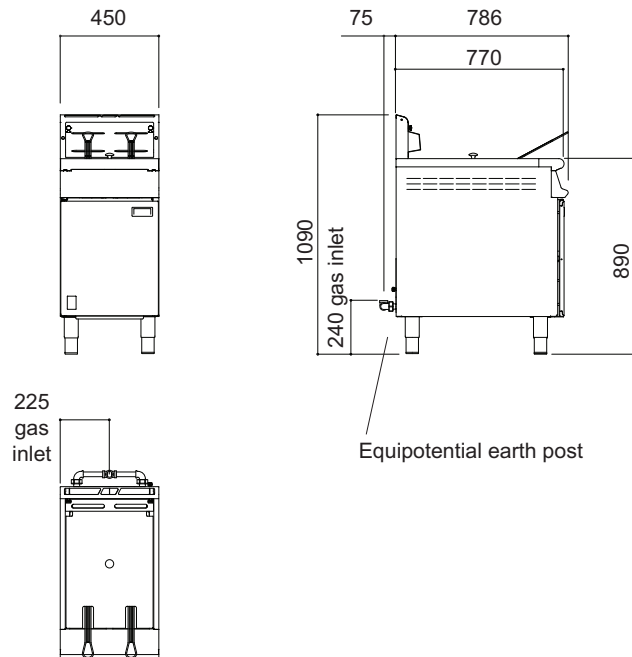


1819 - 2019

# DOMINATOR PLUS

## G3845 TWIN PAN, TWIN BASKET FRYER

### MODEL DIMENSIONS (in mm)



### SPECIFICATION DETAILS

Total rating (natural and propane - kW - Nett)	2 x 11.4	
Total rating (natural and propane - btu/hr - gross)	2 x 39,000	
Inlet size (natural and propane)	3/4" BSP *	
Flow rate - Natural gas (m <sup>3</sup> /hr)	1.19	
Flow rate - Propane gas (kg/hr)	0.45	
Inlet pressure (natural and propane - mbar)	20 / 37	Notes:
Operating pressure (natural and propane - mbar)	13.6 / 36.5	* 2 x 1/2" BSP terminating in single 3/4" BSP connection.
Oil capacity (litres)	12.8 (per pan)	** Pre-blanched, chilled 15mm size.
Hourly chip output ** (kg)	34	Recommended load - 1.5kg per basket.
Weight (kg)	80	
Packed weight (kg)	89	