

## Silverlink 600 Free Standing Fryers

### Key Features

- Type: Gas
- Thermostatic temperature control 110°C to 190 °C
- Flame failure device
- Top temperature cut-out
- Cool zone
- Piezo ignition
- Supplied with wire baskets, batter plates and lids
- Millivolt control system (no need for electrical connection)
- Supplied on height adjustable legs
- Finned heat exchange system



J10

### Construction

- Body: stainless steel grade 430
- Baskets: nickel plated spun wire

### Available Options

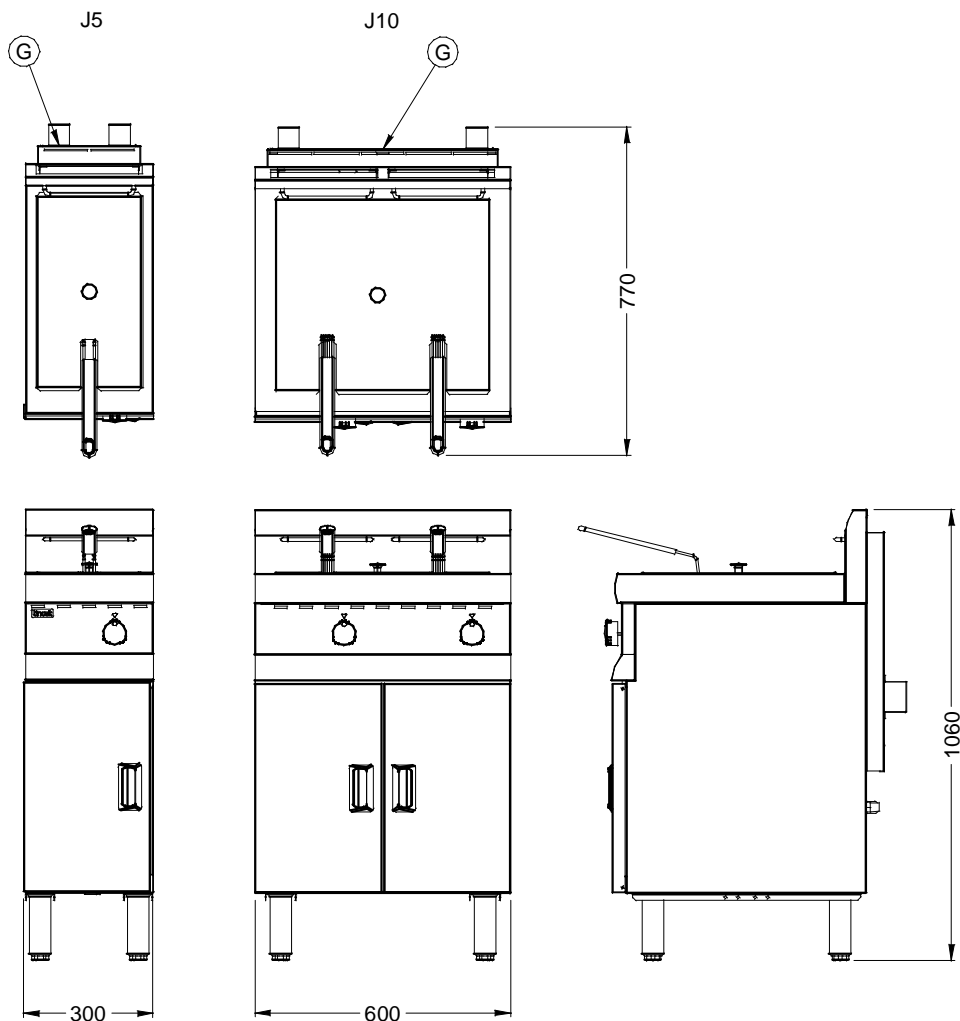
- Natural Gas
- Propane Gas
- Butane Gas
- Single and twin tank models

### Available Accessories

- N/A

## Specifications

| Model  | J5        | J10    |
|--|-----------|--------|
| External height (mm)   | 1060      | 1060   |
| External width (mm)  | 300       | 600    |
| External depth (mm)  | 770       | 770    |
| No. of tanks   | 1         | 2      |
| No. of baskets   | 1         | 2      |
| Oil capacity (litres)  | 12        | 2 X 12 |
| Net weight unpacked (kg)   | 28        | 41     |
| Gross weight packed (kg)   | 34        | 57     |
| Shipping volume (m <sup>3</sup> )                                      | 0.394     | 0.658  |
| Total heat input Natural (kW)  | 11.5      | 23     |
| Total heat input Propane (kW)  | 11.3      | 22.6   |
| Total heat input Butane (kW)   | 11.3      | 22.6   |
| Gas consumption at full rate Natural (m <sup>3</sup> h <sup>-1</sup> ) | 1.08      | 2.16   |
| Gas consumption at full rate Propane (kg h <sup>-1</sup> )             | 0.81      | 1.62   |
| Gas consumption at full rate Butane (kg h <sup>-1</sup> )              | 0.82      | 1.64   |
| Gas inlet  | G ½ male  |        |
| Btu/h conversion   | kW x 3412 |        |



Lincat Limited, Whisby Road,  
Lincoln LN6 3QZ,  
United Kingdom

UK Sales Tel: 01522 875500 UK Spares Tel: 01522 875510 UK General Tel: 01522 875555  
UK Fax: 01522 875530 International Sales Tel: +44 1522 503250 International Fax: +44 1522 875530  
Website: [www.lincat.co.uk](http://www.lincat.co.uk) UK Sales e-mail: [sales@lincat.co.uk](mailto:sales@lincat.co.uk) International Sales e-mail: [export@lincat.co.uk](mailto:export@lincat.co.uk)



Document ref:  
S-LINKGASFRYJ  
Issue date: Oct-09